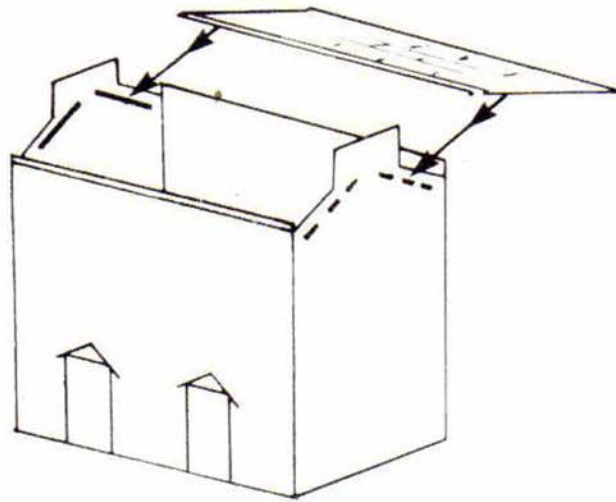
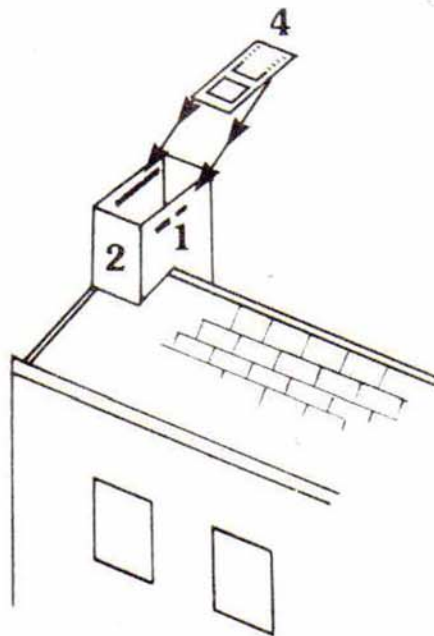


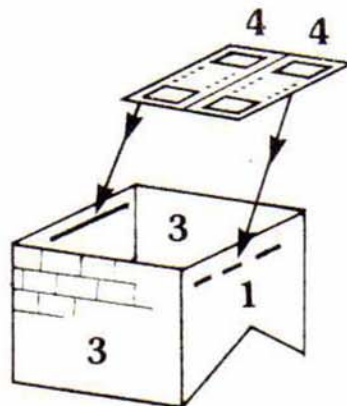
ASSEMBLY INSTRUCTIONS



Roof pieces rest on ridges inside end walls, flush with the tops of those walls.



End chimneys



Glue these two pieces together before fitting inside chimney

Middle chimney - locate completed chimney in centre of roof and glue.

All normal polystyrene cements are suitable for assembling this kit.

MADE IN THE UK